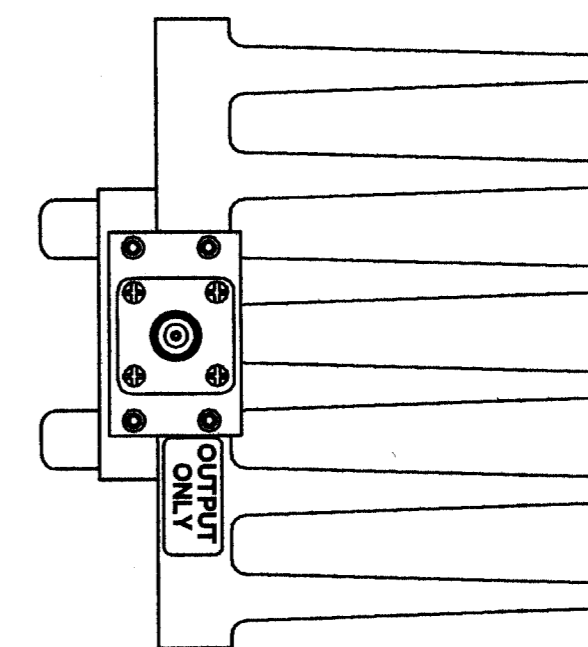
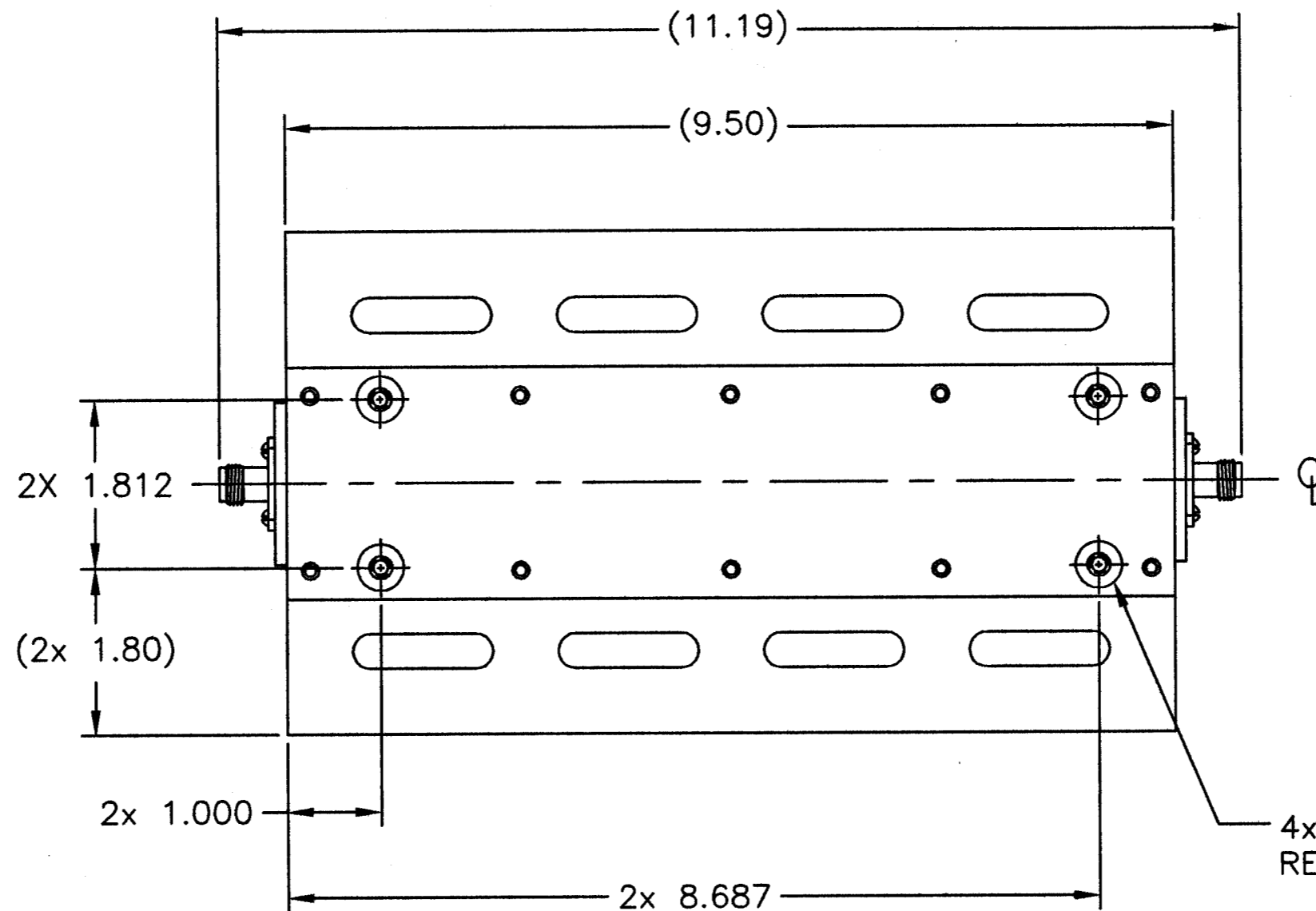
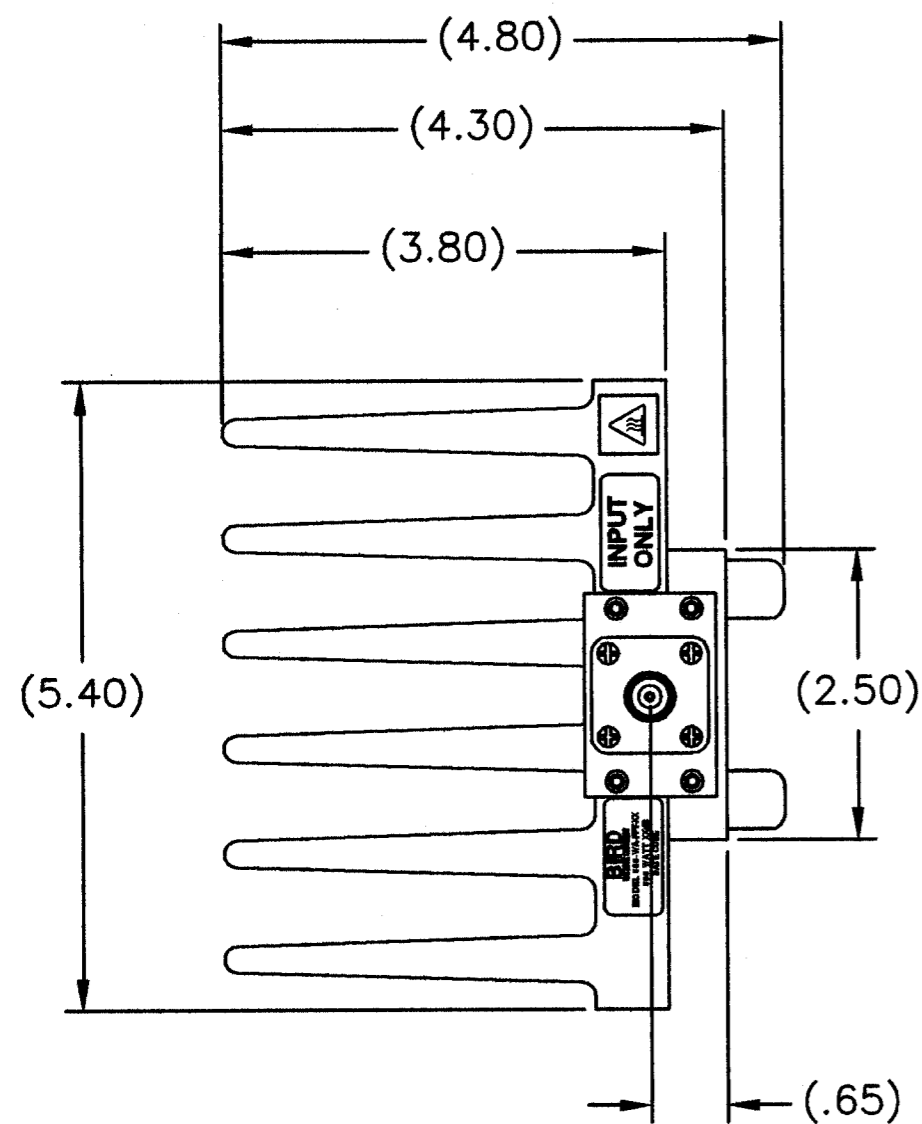


REVISIONS		DWG. NO.	500-WA-FFT-XX	SHEET	REV
ZONE	REV	DESCRIPTION	DATE	APPROVED	
	A	ECN #0203	10-19-98	MAV	

SPECIFICATIONS:
 IMPEDANCE: 50 OHMS NOMINAL
 FREQUENCY RANGE: DC TO 2.5GHz
 VSWR: DC TO 1GHz AT 1.10:1 MAX.
 1GHz TO 2.5 GHz AT 1.25:1 MAX.
 POWER RATING: 500 WATTS AVG. (UNI-DIRECTIONAL) AT 25°C AMBIENT
 DERATED LINEARLY TO 50 WATTS AT 125°C.
 COOLING FIN: ALUMINUM, BLACK ANODIZED
 COVER: ALUMINUM, BLACK ANODIZED
 CONNECTORS: TNC FEMALE, TRI-ALLOY PLATED
 OPERATING POSITION: ANY POSITION EXCEPT MOUNTING SURFACE UP
 NOMINAL SIZE: APPROX. 11.19" L X 5.40" W X 4.80" H
 WEIGHT: APPROX. 7.9 LBS



4x 10-32UNF x .500 DEEP
 REMOVABLE STANDOFFS

DIMENSIONS HEREON ARE FOR CUSTOMER
 CONVENIENCE AND REFERENCE ONLY.
 TOLERANCE TO BE APPLIED ONLY WHERE
 INDIVIDUALLY STATED ON THE RESPECTIVE
 DIMENSION. -DO NOT SCALE DRAWING-

XX = DASH NUMBER (dB VALUE)

-30	30	±0.8 dB	±1.3 dB
-20	20	±0.5 dB	±1.0 dB
-10	10	±0.4 dB	±0.8 dB
-06	6	±0.4 dB	±0.6 dB
-03	3	±0.3 dB	±0.5 dB
DASH NO.	dB ATTEN.	DC - 1GHz ATTENUATOR	1 - 2.5GHz ACCURACY ±dB

NOTE:
 FOR VALUES NOT LISTED, REFER TO THE NEXT HIGHER ATTENUATION LEVEL FOR SPECIFICATIONS. FOR ATTENUATION VALUES GREATER THAN THE HIGHEST LISTED ATTENUATION VALUE, REFER TO THE VALUE 1/2 THE DESIRED ATTENUATION LEVEL, THEN DOUBLE THE LISTED SPECIFICATION VALUES, UNLESS OTHERWISE SPECIFIED.

UNLESS OTHERWISE SPECIFIED DIMENSIONS ARE IN INCHES TOLERANCES ARE: FRACTIONS DECIMALS ANGLES ± 1/64 .005 ± 30° DO NOT SCALE DRAWING		MILLIMETERS .X = ±.4 .XX = ±.12	THIS DRAWING IS THE PROPERTY OF THE BIRD ELECTRONIC CORPORATION. THE DESIGNS AND SPECIFICATIONS DISCLOSED HEREON ARE PROPRIETARY AND SHALL NOT BE REPRODUCED, NOR COPIED, NOR USED AS THE BASIS FOR THE MANUFACTURE OR SALE OF APPARATUS OR DEVICES WITHOUT THEIR EXPRESS WRITTEN CONSENT.		 Cleveland (Solon) Ohio USA
MATERIAL		APPROVALS	DATE	TITLE	
FINISH		DRAWN D.M.RINK	5-30-03	ATTENUATOR, CONVECTION COOLED TNC FEMALE, 500W	
		CHECKED		SIZE FSCM NO. DWG. NO. REV	
		APPROVED <i>MAV</i>	6-23-03	C 70998 500-WA-FFT-XX A	
			AUTOCAD	SCALE 1:1 COMM CODE AT1 SHEET 1 OF 1	